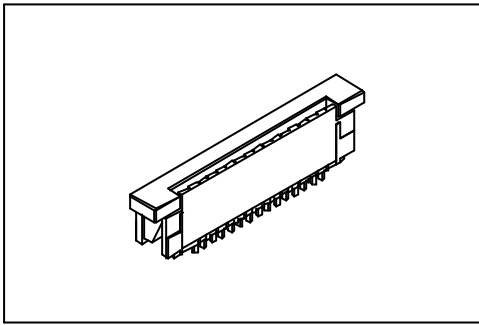


2434 Series

FFC/FPC Connector 1.0mm(0.039") SMD ZIF Type



Features:

- * ZIF, Surface Mount.
- * Size 4 through 30 available.
- * For 0.30mm(0.0118") thick FFC/FPC.

Material:

Housing: High temperature housing UL94V-0 withstands IR and VPR soldering methods.

Actuator: PPS.

Contacts: Phosphor Bronze.

Leg: Phosphor Bronze.

Plating: Tin plated.

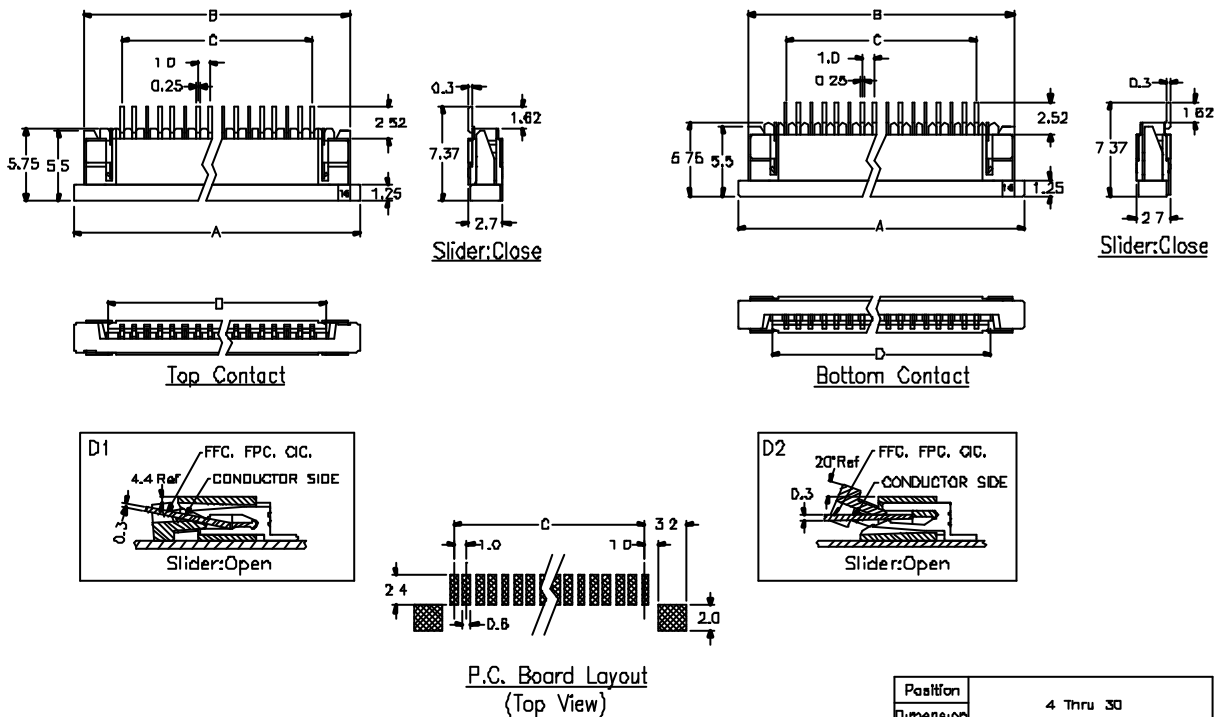
Electrical Characteristics:

Current Rating: 0.5 AMP.

Insulator Resistance: 100MΩmin. at DC 500V.

Contact Resistance: 20mΩmax. at DC 100mA.

Operating Temperature: -55°C ~ +85°C



Position Dimension	4 Thru 30
A	(No. of Positions X 1.0) + 6.4 ± 0.2
B	(No. of Positions X 1.0) + 4.8 ± 0.2
C	(No. of Positions X 1.0) - 1.0 ± 0.1
D	(No. of Positions X 1.0) + 1.18 ± 0.08

Ordering information

2434- 30 I D 1 I
 Series No. of Pin Count T: Tin Plated S.M.D Type 1: Top Contact T: Tape & Reel
 2: Bottom Contact