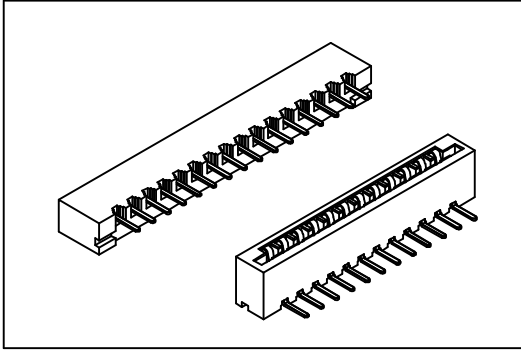


# 2032 SERIES

## FFC/FPC CONNECTOR 2.54mm(0.100")



### Material:

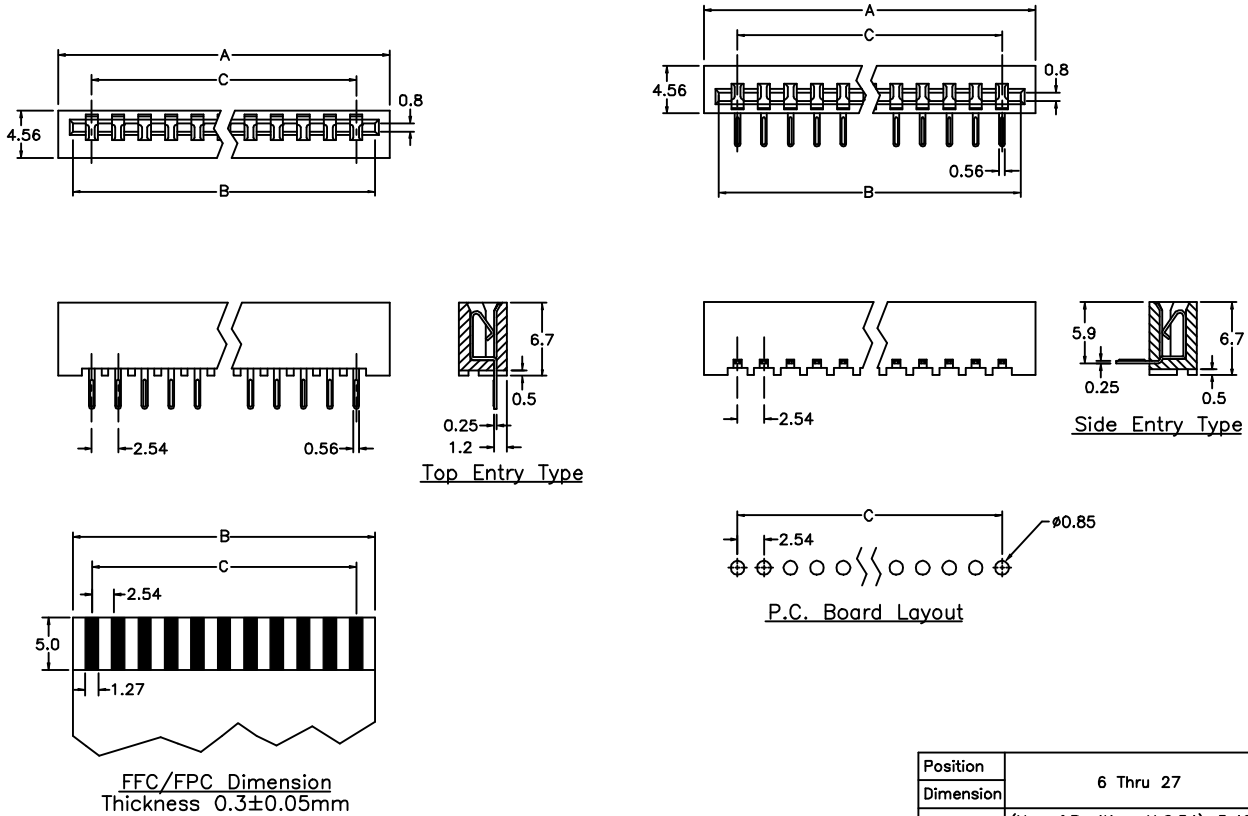
Housing: 30% Glass filled PBT UL94V-0.  
 Contacts: Phosphor Bronze.  
 Plating: Tin plated.

### Electrical Characteristics:

Current Rating: 1 AMP.  
 Insulator Resistance: 5000M  $\Omega$  min. at DC 500V.  
 Contact Resistance: 20m  $\Omega$  max. at DC 100mA.  
 Operating Temperature: -55°C ~+105°C.

### Features:

- \* Size 6 through 27 available.
- \* Straight & right angle, non-ZIF.
- \* For 0.3mm(0.0118") thick FFC/FPC, membrane switches.



Position	6 Thru 27
Dimension	
A	(No. of Positions X 2.54)+5.46
B	(No. of Positions X 2.54)+3.35
C	(No. of Positions - 1) X 2.54

## Ordering information

2032- 27 I S  
 Series No. of Pin Count T: Tin Plated S: Top Entry (Straight)  
 R: Side Entry (Right Angle)