



# MCCD Series

## MC-CARD Series

MC-CARD series is supplied with a snap on interface, which provides a quick connection and disconnection. It is a micro-miniature coaxial connector. The MC-CARD connectors can be operated up to 8GHz, and its impedance is controlled at 50 ohms. This series is suitable for the standard ranges of flexible & semi-rigid cables, and it's also available as a surface mounted version.

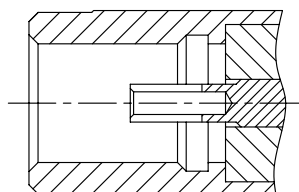
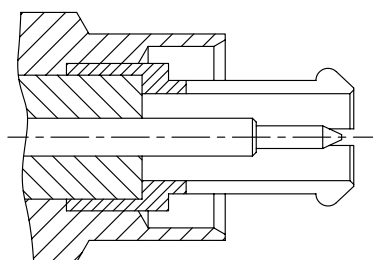
### Applications:

\*wireless LANs \*PCMCIA cards \*GSM \*PMR/TETRA

Interface dimensions conformable to the Standards:

International: IEC 286-3

MCCD Interface Dimensions:



PLUG

JACK

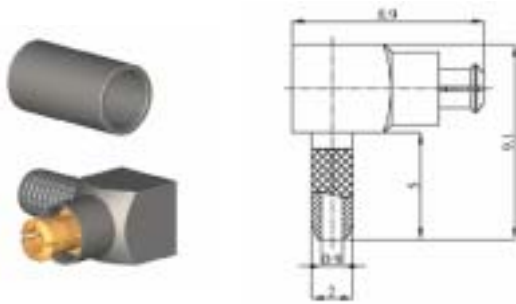
MCCD Series					
PLUG			JACK		
	Minimum	Maximum		Minimum	Maximum
A	0.00<.000>	0.51<.020>		0.53<.021>	0.89<.035>
B	0.63<.002>	0.74<.029>		0.356<.014>	0.381<.150>
C	0.05<.002>	0.15<.006>			
D	0.356<.014>	0.381<.150>			

\*Millimeters(Inches)



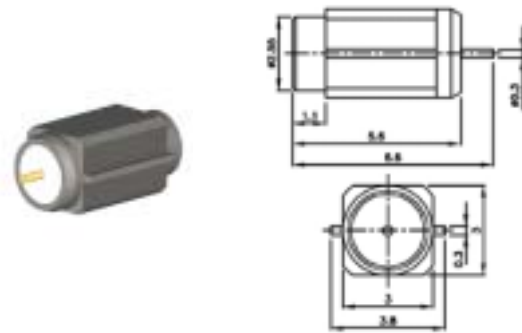
### MCCD RIGHT ANGLE PLUG FOR CABLE TYPE

CRIMP FOR FLEXIBLE CABLE



PART NUMBER	A	B	C	CABLE TYPE(RG/U)
MCCD-03LV1-TGG	1.7	2.6	5	174 , 188A , 316
MCCD-03M-TGG	0.9	1.9	5	178 , 196

### MCCD STRAIGHT JACK RECEPTACLE



PART NUMBER	MCCD-06-TGG
-------------	-------------